

Modern Concrete Segmental Bridge

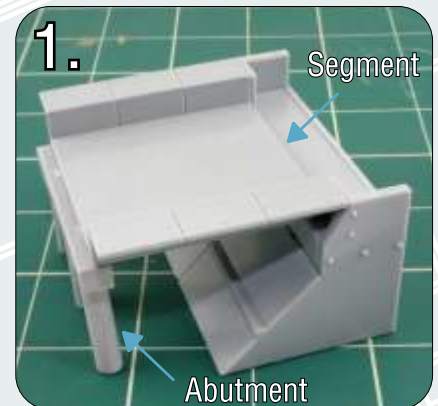


Extend your bridge to any length with this add-on kit!

Model Footprint: Width 2.63" X Height (bottom of bridge) 1.15"

Assembly Instructions

1. Position the first concrete segment on the base (sold separately in #4390) and secure with CA type glue (cyanoacrylate). Place an abutment under the opposite end of the bridge to ensure everything is level. Glue the first abutment to the segment end and continue this process for the desired length of the bridge.



2. Remove the scale handrails from their sprue using a sharp hobby knife. Grasp the handrails at a vertical rail and gently slide the vertical pole into a provided mounting hole on a segment - continue this process for the length of the bridge. (Note: These handrails are extremely fragile and must be handled with extreme care. This product contains extra 'end rails' for segments that connect to the bridge ends from #4390.) Finish by painting and/or weathering if desired.